



B-TECH AV MOUNTS™

ON/OFF  
 PEDAL LOCKS  
 INSTALLS IN  
 PLACE

# BT8380-CASTORS

## SYSTEM X™

### 4" NON-MARKING BRAKED CASTORS

Designed to add mobility to System X stands, the BT8380-CASTORS screw directly into the BT8380-BASE and feature a 4" non-marking rubber wheel that won't damage floors when the solution is stationary or whilst being moved. Supplied in pairs, the castors come with an easy to use brake pedal that keeps installations firmly in place when needed but allows quick and simple repositioning as required.

#### SPECIFICATION

Wheel diameter	100mm
Wheel width	40mm
Height (including base)	193mm
Castors supplied (per pack)	2
Colour	Black

#### FEATURES

- Screw directly into the underside of the BT8380-BASE to create a mobile mounting solution for System X
- Non-marking castors allow installations to be re-positioned without damaging or scuffing floors
- Features an easy to use on/off brake pedal that prevents installations from moving once they are positioned



Quickly screws into the BT8380-BASE to add mobility to System X floor stands



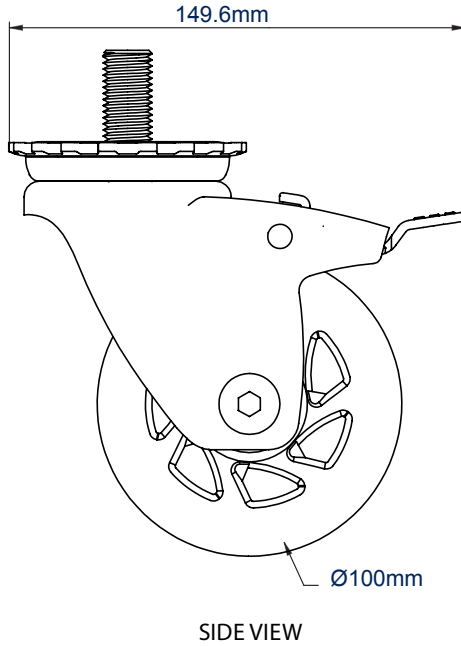
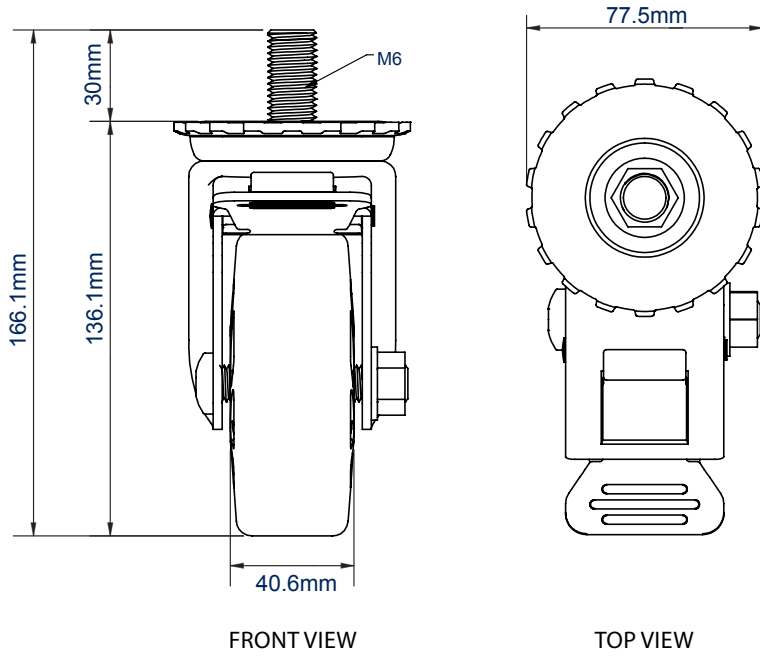
Braked mechanism allows the castors to be locked in position



Supplied in pairs, two castors are required for each base used



Non-marking design allows installations to be repositioned without damaging floors



**PACKING INFORMATION**

COLOUR:	ORDER REF:	EAN CODE:	MASTER CARTON QTY:	INNER CARTON QTY:	MASTER CARTON WEIGHT:	MASTER CARTON CUBE:
Black	BT8380-CASTORS	5019318501067	8	0	21.7kg	0.05cbm

**ACCESSORIES AND RELATED PRODUCTS**

<p><b>BT8380-BASE</b></p>	<p><b>BT8380-060/180/240</b></p>	<p><b>BT8390-030/050/070/150/175/200</b></p>	<p><b>BT8380-JPK</b></p>
---------------------------	----------------------------------	--	--------------------------

**Floor Base for System X Trolleys and Stands** for freestanding or mobile solutions

**Vertical Support Column** provides a platform for freestanding, mobile or bolt down solutions

**Mounting Rail** fits to columns, walls or poles using System X components

**Joining Plate Kit** fits BT8390 mounting rails to BT8380 support columns

© 2016 B-Tech Av Mounts. All rights reserved. The information in this specification sheet reflects the current technical specifications at the time of print. We reserve the right to change the technical or physical specifications without notice. B-Tech Av Mounts and B-Tech Technology are registered trademarks of B-Tech International Design & Manufacturing Ltd. B-Tech Av Mounts is a registered trademark of B-Tech Av Mounts. All other trademarks are the property of their respective owners. B-Tech Av Mounts is not liable for loss or damage caused by improper or unauthorized installation, use, or modification of this product. Any reproduction or transmission or republishing of any part of this specification is expressly prohibited, unless prior written permission has been granted by B-Tech International Design & Manufacturing Ltd. (B-Tech).

SS-V2-BT8380-CASTORS-070819